



## Instant Water Chiller

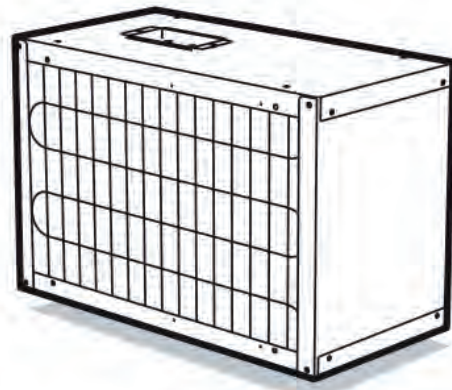
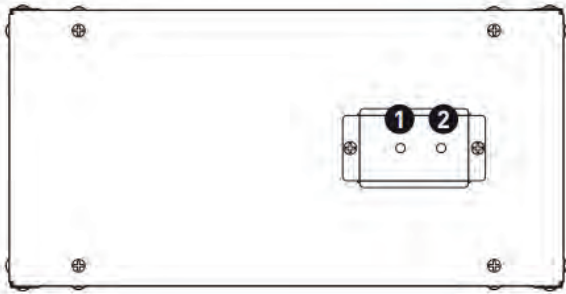
Hassle Free Installation  
Unlimited Cold Water  
2 Years Warranty



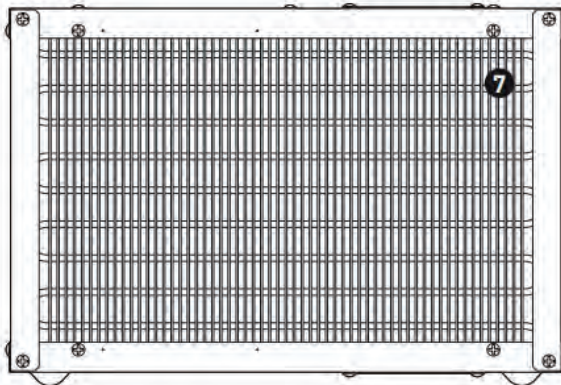
# Features

1. Inlet
2. Outlet
3. Cold Water Thermostat
4. Motor Fan
5. Cold/Heat Exchanger
6. Compressor
7. Condenser
8. Power Cord
9. Drain Cap
10. Drain Cover

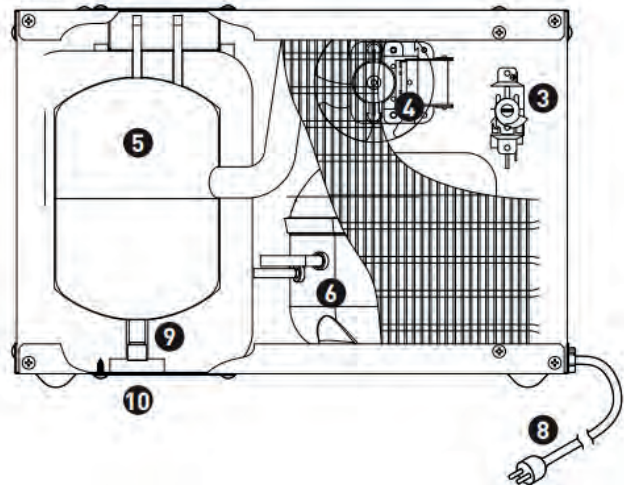
UPPER



FRONT



BACK



# Other Information

## Dimensions(mm)

410 x 290 x 210 mm

## Installation

Within 1 metre from reverse osmosis  
1 plug point is required

## Maintenance

No maintenance required